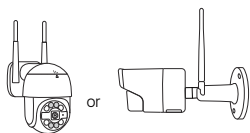


1. What's in the box



Camera



12V 1A Power Adapter



Mounting Screw Bag



Mounting Hole Template



Warning Sticker

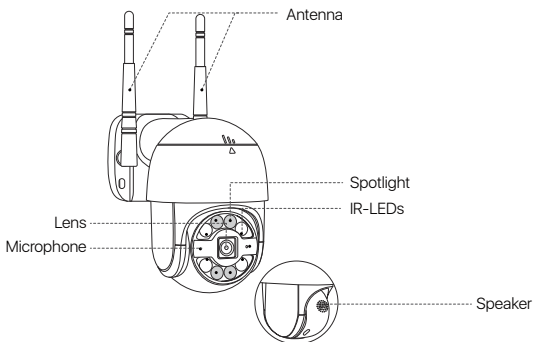


Quick Start Guide

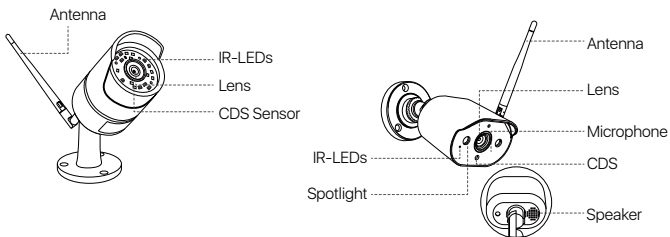
NOTE: Products and accessories vary by product models, please refer to the actual product.

2. Introduce the Cameras

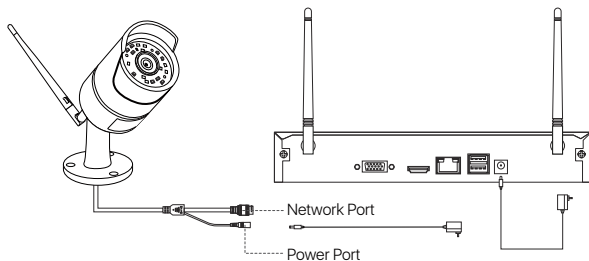
Dome Camera



Bullet Camera



3. Connection Diagram



1. Power on the IP camera and WiFi NVR.
2. The NVR will auto-pair with the camera after the devices are powered on and then enjoy live viewing.

NOTE: If you buy a new add on camera, you need to re-pair to the system manually, please refer to the following link for detailed operation.

Wired Connection



Scan UID Code



4. Install the Camera

1. Installation Precautions

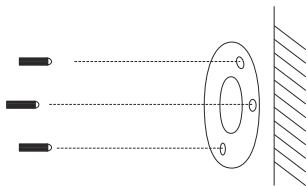
- Avoid directing the camera towards strong light or reflective objects, including sunlight, light glass, mirrors and other areas with strong refraction of light sources.
- Do not install at location with objects covering or obscuring the camera.
- Avoid mounting the camera in places too dim. Point the camera towards a well-lit area. For better image quality, make sure the camera and the captured subject are at the same lighting conditions.
- It is recommended to clean the lens with a soft cloth from time to time.
- Do not expose the power port to water or moisture. Make sure it is not blocked by dirt or other things.
- Do not install the camera where rain and snow may hit the lens directly.
- Camera may work in extremely cold conditions as low as -10°C because it will produce heat when powered on. You may power the camera indoors for a few minutes before installing it outdoors. (Only for outdoor cameras).

2. Mount the camera on the wall

NOTE: Dome camera and bullet camera are installed in the same way, the following is the example of the bullet camera. Please refer to the actual product and install the camera according to the corresponding instructions.

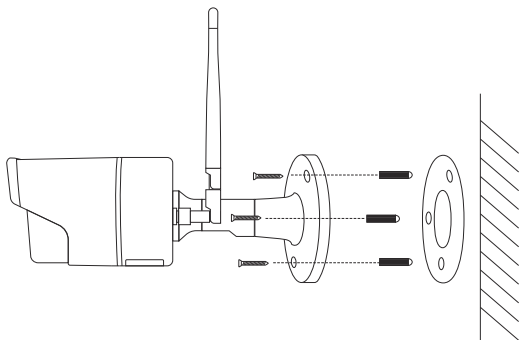
Install Steps:

1



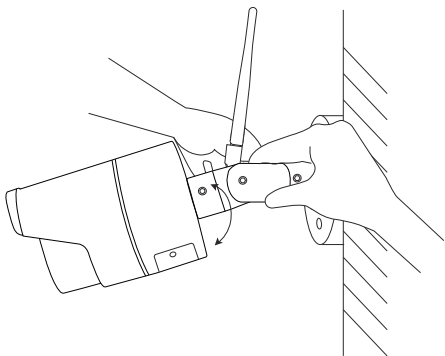
Drill holes on the wall according to the position of mounting hole template and insert the plastic wall plugs.

2



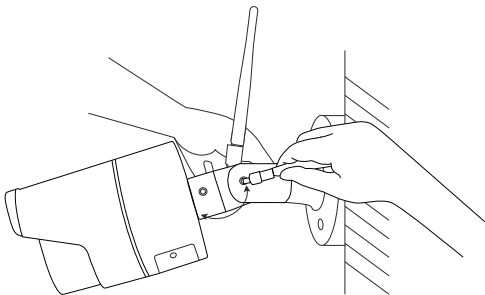
Align the camera base with the mounting hole template and use the screws to fix the base. (please place the camera's wires to the notch.)

3



Loosen the adjustment knob of the bracket and adjust the camera to a right angle.

4



Tighten the adjustment knob of the bracket to fix the camera.

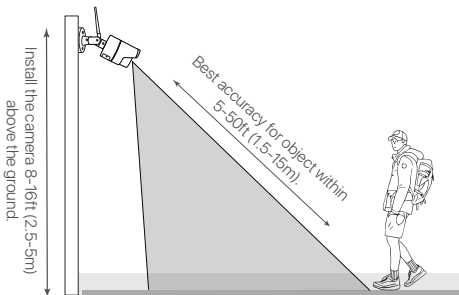
Note: The dome cameras can ignore steps 3 and 4.

3. Installation Distance, Height and Angle

Distance: Best accuracy for object within 5-50ft (1.5-15m).

Angle: Tilt the camera down about 30°-60° from the horizontal position.

Height: Install the camera 8-16ft (2.5-5m) above the ground.



NOTE: The accuracy of human detection will be affected by various factors, such as the distance between the person and the camera, the height of the person, the height and angle of the camera, etc. The accuracy and distance of detection will also be affected in the night vision environment.

5. Terms of Use

- Use the camera only with compatible ZOSI NVRs.
- Please read this guide carefully and keep it for future reference.
- Follow all instructions for safe use of the product and handle with care.
- Use the camera within given temperature, humidity, voltage level noted in the specifications.
- Do not disassemble the camera.
- Avoid facing the camera directly to sunlight or strong light sources.
- Use only a regulated power supply (optional). Use of a non regulated, non-conforming power supply can damage the product and void the warranty.
- Periodic cleaning may be required. Use a damp cloth only. Do not use any harsh chemical cleaners.
- Do not open the case while power is on.

6. Notification of Compliance

1. FCC Compliance Statement

This device complies with Part 15 of the FCC Rules.

Operation is subject to the following two conditions:

- This device may not cause harmful interference,
- This device must accept any interference received, including interference that may cause undesired operation.

2. CE Simplified EU Declaration of Conformity

ZOSI declares that product is in compliance with the essential requirements and other relevant provisions of Directive 2014/53/EU.

3. Correct Dispose of this product

This marking indicates that this product should not be disposed with other household waste throughout the EU. To prevent harm to the environment or human health from uncontrolled waste disposal and promote the sustainable reuse of material resources, please recycle it responsibly. To return your used device, please use the return and collection system or contact the retailer from whom the product was purchased. They can take this product for environmentally safe recycling.