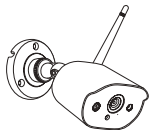


1/What's in the Box



Camera



Quick Start Guide



Warning Sticker



Power Adapter
of Camera



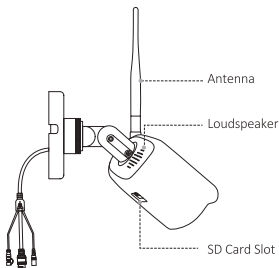
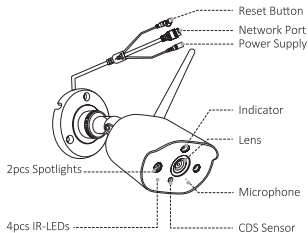
Mounting Hole
Template



Mounting Screw Bag

2/Specification

2.1 Camera

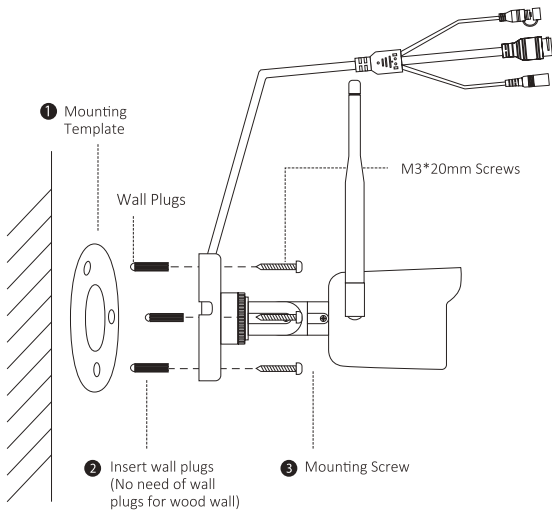


NOTE: Due to regional restrictions, it is recommended to configure 4 cameras maximum in Europe and 8 cameras maximum in the United States.

3/Installation Diagram

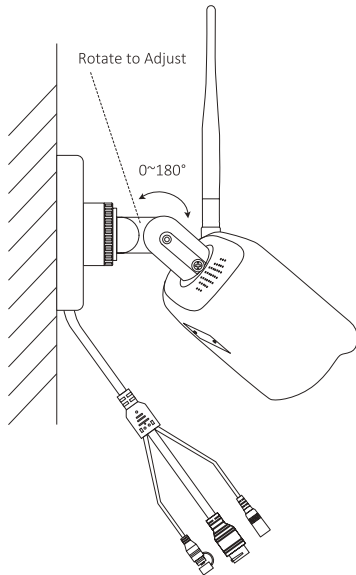
3.1 Install the Camera

Follow the steps below to install the camera, as shown below.



3.2 Adjust Camera Angle

Loosen the adjusting screw and adjust the angle of camera.
Tighten the screw again after adjustment.



4/Scan the QR Code to Connect

4.1 Add Unpaired Device

4.2 Open ZOSI Smart App and click "+" above or below to add a device and select "C308AH" from the device list.

4.3 Click "Add an unconnected device" on the Setup Up device page and wait for device searching.

NOTE: Make sure that your mobile phone and base station are connected to the same WIFI when searching for devices.

4.4 After device searching, follow the guide to power on the device and proceed to "Scan QR Code" page.

4.5 Tap "Scan QR Code" and scan the QR code generated on your phone with the camera lens, and then tap "Next" after the scanning.

NOTE: The base station support simultaneous connection of multiple devices, but only one camera can be viewed at a time and multiple devices cannot be viewed at the same time.