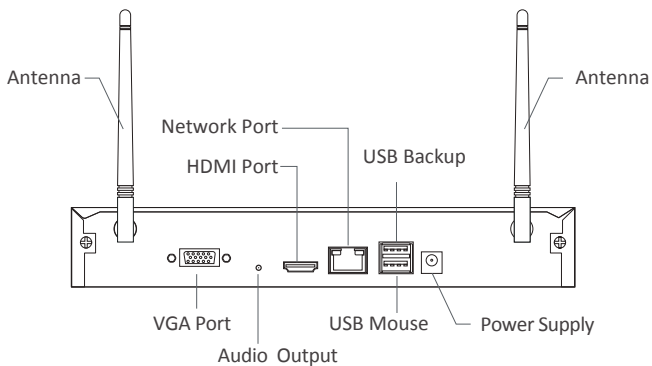
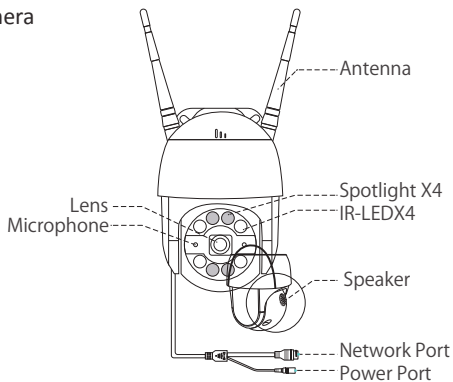


1 Gallery & Specs

1.1 NVR



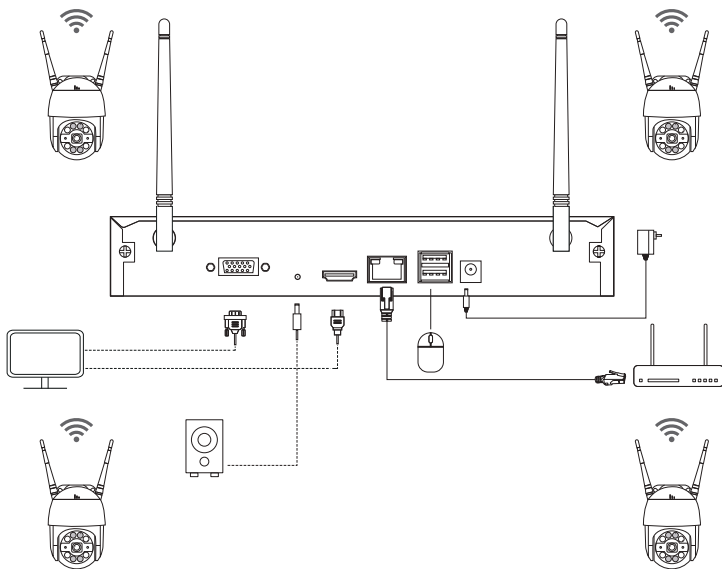
1.2 Wireless IP Camera



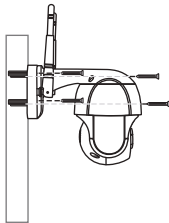
2 System Connection

2.1 Connect NVR to the Internet

- (1) Connect NVR to router using a network cable.
- (2) Connect monitor to NVR via HDMI or VGA port.
- (3) Connect the included USB mouse to the top USB port of NVR.
- (4) Connect NVR to 12V power supply.
- (5) After the system starts, pair and connect IPC and camera to the system (maximum support 8 channels).
- (6) The monitor will show the real-time monitoring picture of the camera.



A: Camera Installation Diagram



- 1 Following the mounting hole template to drill holes in the wall and insert the wall plugs.
- 2 Align the camera Base with the mounting hole template, using the screws to fix the base.
NOTE: Place the camera wire in the notch of the camera base.
- 3 Manually rotate the angle of the camera to adjust the appropriate monitoring angle.

B: How to test the network status of NVR?

- (1) Right click Mouse > Go to Main Menu > Setting > Network
- (2) Tick 'Obtain IP address automatically'

Click 'Test', if 'OK' is displayed, tick 'DHCP' and apply, the device will automatically assign the corresponding network segment and IP address. After clicking Test, if the page is displayed successfully, it is successfully connected to network.

NOTE: Please make sure that the DHCP of the connected router is enabled at the same time.

Network

Network Sub-Stream Email WiFi Setup DDNS

HTTP Port	80
Server Port	5000
Mobile Port	5001
Obtain an IP Address Automatically	<input checked="" type="checkbox"/>
IP Address	192.168.0.1.111
Subnet Mask	255.255.255.000
Gateway	192.168.0.01.001
Preferred DNS Server	211.136.192.006
Alternate DNS Server	114.114.114.114
PPPOE	<input type="checkbox"/>
User Name	
Password	
	Test

OK

Apply Exit

C: WiFi Setup

Right-click the main interface - Main Menu - Setup - Network - Wireless Network, default setting and apply.



2.2 Download ZOSI Smart App



Zosi Smart



App (IOS/Android)



App video operation link

3 AVSS PC Client

3.1 Install AVSS on PC

Get the AVSS software from www.zositech.com or from your agent.

Double-click the icon AVSS to open, select the language and click Login.

Note: You can log in with the default username and password, or register a new account.

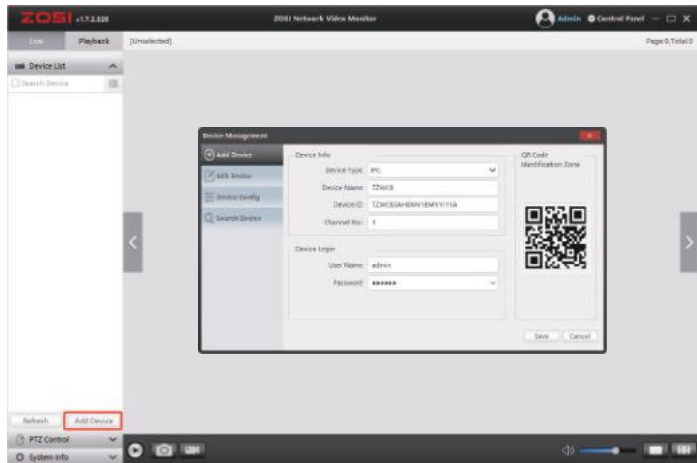
The user name is the account an password registered on the App in 2.3.



The image shows the ZOSI Security login interface. At the top, the ZOSI logo is displayed with the tagline "Security made easy." Below the logo, there are three input fields: a language dropdown menu set to "English", a username field containing "xxxxxx000x", and a password field with masked characters "*****" and a "Show" button. Underneath these fields, there are links for "Local Login", "Forgot Password?", and a "Remember Password" checkbox. A large red "Login" button is positioned at the bottom center. At the very bottom, a link reads "No account yet? Register immediately."

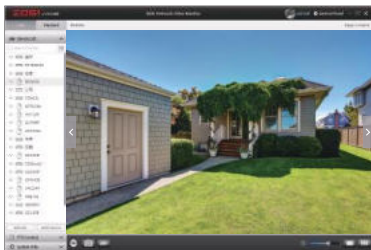
3.2 Device Management

Click the Add Device button in the device list to add/edit/configure/search for the device.



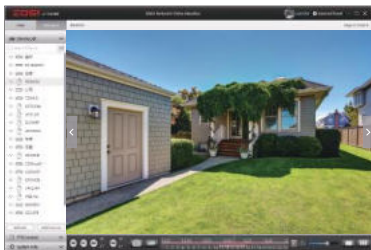
3.3 Live View

Select channel to watch live streaming.



3.4 Video Playback

Select 'Playback', select device, channel, date, time, click the play button to start replaying recorded video.



4 Add Device

4.1 Add IPC to wireless camera system

- (1) Connect IPC and NVR in the same wireless network.
- (2) Right-click the mouse on the live channel page and get the main menu.
- (3) Click IPC Channel Config to enter the configuration page.
- (4) Click the search button to search for IP cameras.



(5) Tick the IPC channel, click WiFi add.

IPC Channel Config

Index	IP Address	Firmware Version	Type	MAC	Add status
1	192.168.147.13	V3.8.2.16E201200FA	WiFi	F4 DE 09 6A 98 20	added
2	192.168.147.7	V3.8.2.16E201200FA	WiFi	F4 DE 09 6D AD 20	Not added
3	192.168.147.2	V3.8.2.16E201200FA	WiFi	00 55 34 78 02 14	Not added
4	192.168.147.5	V3.8.2.16E201200FA	Cable	82 3A 62 0A 3F 2D	Not added
5	192.168.147.3	V3.8.2.16E201200FA	Cable	F6 5C 08 DA 4C 66	Not added

Reset IPC Search **WiFi add** Cable add Add all

Channel	IP Address	Firmware Version	Type	MAC	Connection Status
<input checked="" type="checkbox"/> 01	192.168.147.13	V3.8.2.16E201200FA	WiFi	F4 DE 09 6A 98 20	connected

Delete All Delete Upgrade WirelessSet Refresh

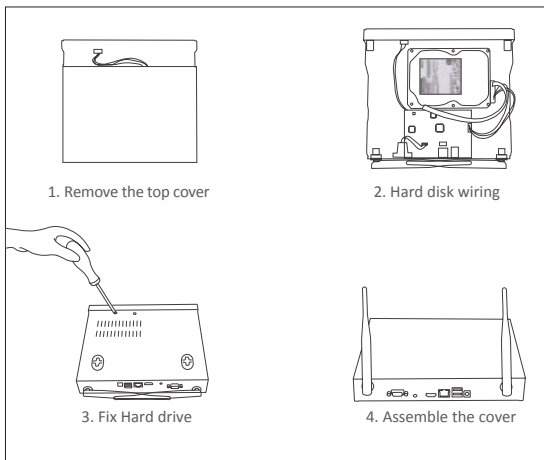
(6) The IPC device is successfully added and it can be displayed in live view channel and operated.



5 Hard Drive/ Micro SD Card

Some camera kits may not contain hard drives, depending on the camera kit you purchase. This kit support most 3.5" HDD.

NOTE: Please skip this step if your recorder has a pre-installed hard drive.



- ① Power off the NVR, unscrew and remove the top cover of recorder.
 - ② Connect the power cable and data cable of the hard drive to the corresponding ports in the recorder.
 - ③ Put the hard disk into the recorder. All wires should cross up over the hard drive.
 - ④ Hold the hard disk and the NVR, gently turn it over and line up the holes on the hard disk with the holes on the NVR. Use a Phillips screwdriver, screw the included screws into the holes. Assemble the cover.
- You need to format the hard drive before recording. Right click mouse> Main Menu> Hard Disk Management> select Hard Disk> Format> Apply.

6 Video Record

Right click the mouse > Go to Main Menu > Setup > Record

You shall see the record settings for all channels. Modify the record setting based on your needs and apply the changes.

6.1 Motion Detection

Set motion Detection, NVR will only record when motion or movement is detected. Right click the mouse > Main Menu > Setup > Alarm > Motion detection.

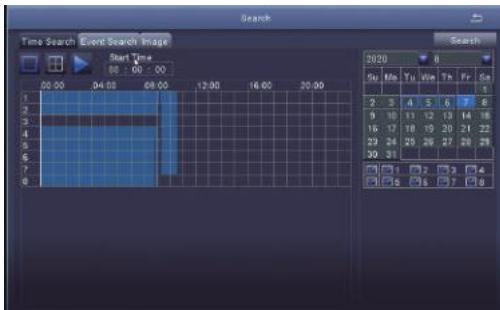
The system starts recording when motion is detected by the camera, and the captured picture will show at the bottom left corner.

Select camera: tick the channel you want to record on motion detection.



6.2 Video Playback

Go to Main Menu > Search, system presents as following:



Search the video you want by time or event to play.



Previous Record: move to last recorded event

Next Record: move to next recorded event

Fast Forward: video can be played at different speed, from 1/4 times to 16 times.

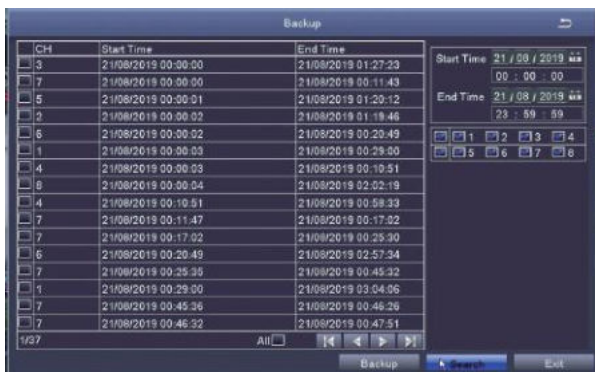
Rewind: Video play can be rewinded at 1 time, 8 times, 16 times and 32 times.

Screen Display Mode: both single-screen and multi-screen are available.

You can choose how many channels you want to playback at the same time. Channel without records presents blank screen.

6.3 Video Backup

Insert USB flash drive> right-click the mouse> enter the Main Menu> Hard Disk Management> USB flash drive detected> return> Backup> select Channel and Time period> Search> select the video file you want to back up> click Backup> backup complete.



7 Live Video Display

You can see picture display on the monitor normally, as the 4-channel picture shown in the figure.



8 FAQs

Q: Why can't I search for devices when adding cameras?

A: Make sure that the device and the mobile device are on the same LAN, otherwise please enter the device ID manually.

Q: Why can't my device connect to the network?

A: Please check:

- Is the device connected to the Internet?
- Is the router working properly?
- Is the router's DHCP server open?

Q: Why can't I find the video files?

A: Please check:

- Is the hard drive broken?
- Is the search period valid?
- Whether the system time is correct.

Q: Why the monitor screen cannot display for some channels?

A: Please check whether the camera has been added to NVR.

Q: Why can't I watch the recording by entering the device password?

A: Please confirm whether the correct device password is entered. It is recommended to keep the password.